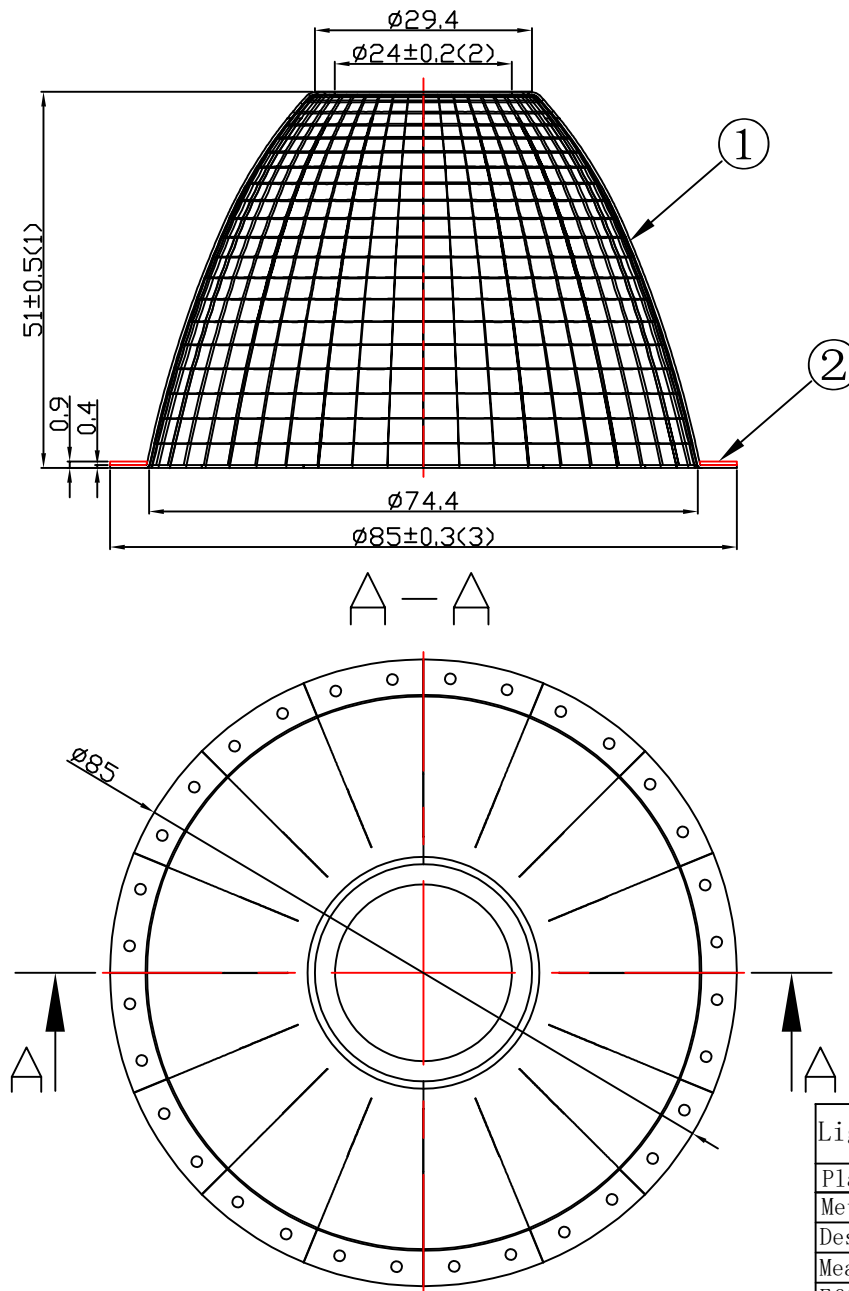
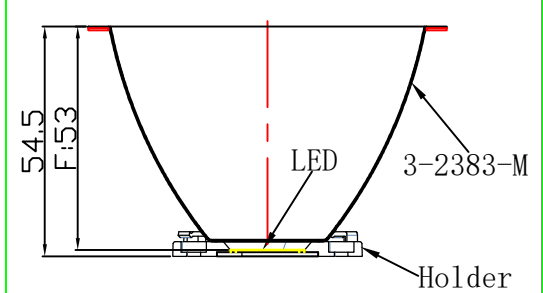


Product bill of material				
Serial number	material name	Material number	NO.	Describe
①	3-1882-H	94.03.1882.000	1	Material:T=0.4 MIRO 98AX4
②	D85铝垫圈	97.76.693.000	1	Material:T=0.5 1060 H24

table for unmentioned tolerance in the drawing (unit: mm)			punch angle tolerance in the drawing (unit:degree)		
0-5	5-30	30-120	0-10	10-50	50-120
±0.15	±0.2	±0.5	±1°	±0.5°	±0.3°
120-250	250-400	400-700	120-250	250-360	360 above
±0.8	±1.5	±2	±0.2°	±0.166°	±0.083°



光学装配示意图



Mark	Amended Times	Amended Content		Signature	Amended Date
Controll Version	AO	Design Version	KO	Client Version	
Designer		Drawing by		Proportion	1:1
Technology		Auditor		View	
Approval		Date	2018.03.16	Page	Total Page

Material:T=0.4  
MIRO 98AX4

**Nata**<sup>®</sup>  
**NATA Lighting Co.,Ltd**

Customer Item	
Customer Code	NT
Product Number	
Product Name	3-2383-M